



ALPFRIGO d.o.o.
Obrtna cona Logatec 11a
1370 Logatec SLOVENIJA
www.alpfrigo.com
Tel.+386 40 850022
Fax+386 1 4265824
E- mail: info@alpfrigo.com

Account:
03128-1085657648

Tax number:
SI81067356

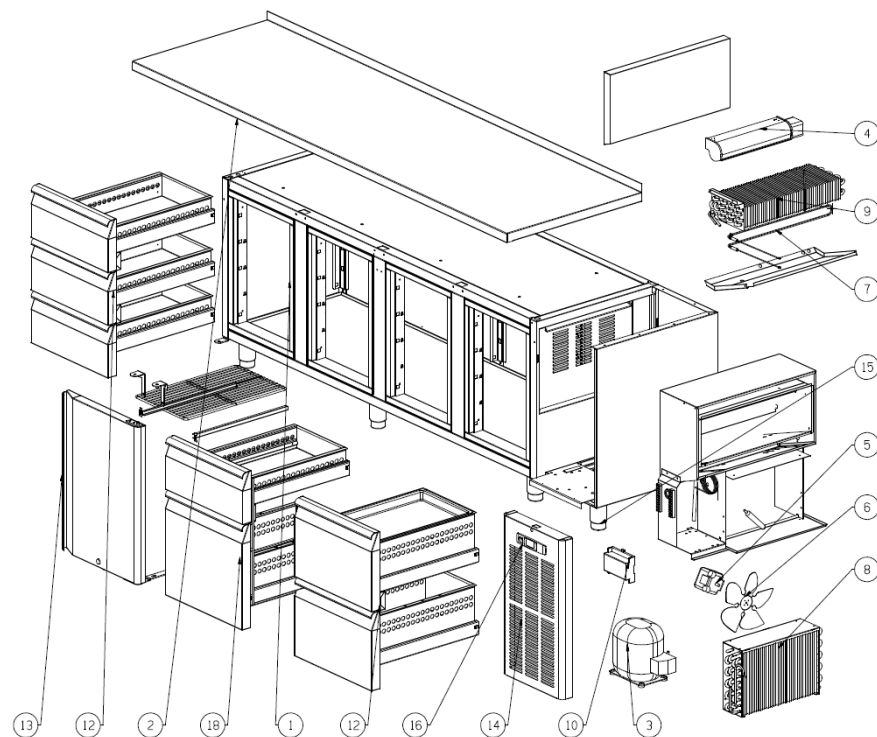
SPARE PARTS LIST

COUNTERS

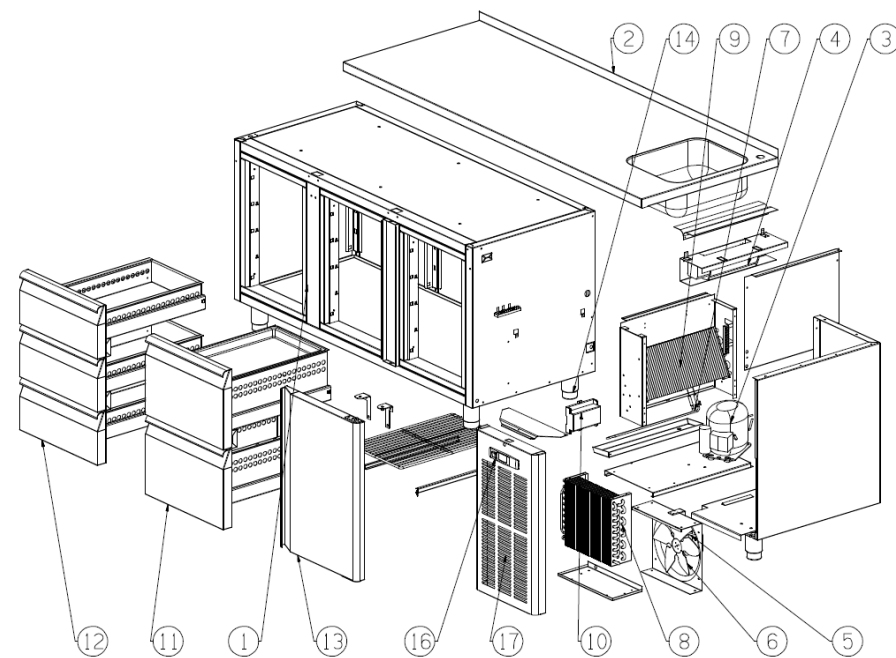
TM 2
TM 3
TM 4

TN 2
TN 3
TN 4

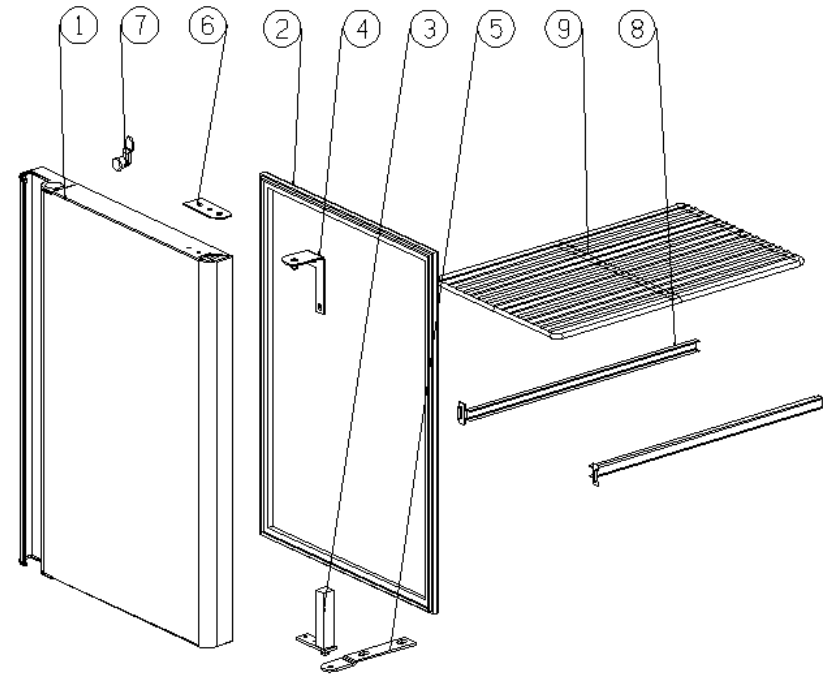
POS	TITLE	CODE	TM2	TM3	TM4	TN2	TN3	TN4
1	COUNTER HOUSING 2	20062	*			*		
1	COUNTER HOUSING 3	20064		*			*	
1	COUNTER HOUSING 4	20062			*			*
2	FLAT WORKTOP WITH 40 mm SPLASHBACK 2	20081	*			*		
2	FLAT WORKTOP WITH 40 mm SPLASHBACK 3	20082		*			*	
2	FLAT WORKTOP WITH 40 mm SPLASHBACK 4	20083			*			*
2	FLAT WORKTOP WITH 40 mm SPLASHBACK AND TROUGH 2	20096	*			*		
2	FLAT WORKTOP WITH 40 mm SPLASHBACK AND TROUGH 3	20097		*			*	
2	FLAT WORKTOP WITH 40 mm SPLASHBACK AND TROUGH 4	20098			*			*
2	FLAT WORKTOP 2	20093	*			*		
2	FLAT WORKTOP 3	20094		*			*	
2	FLAT WORKTOP 4	20095			*			*
3	COMPRESSOR ML 60 TB	40201	*	*				
3	COMPRESSOR ML 80 TB	40202			*			
3	COMPRESSOR MP 23 FB	40210				*		*
3	COMPRESSOR MX 18 FB	40211				*	*	
4	FAN TF 240/30	40302	*					
4	FAN TF 360/35	40304		*	*	*	*	*
5	MOTOR FAN A805-809	40314	*	*	*	*	*	*
6	ELISA 250/28 SESALNA	40321	*	*	*	*	*	*
7	HEATER 250 W PULT	40402	*	*	*			
7	HEATER 450 W PULT	40401				*	*	*
8	CONDENSER 1	40020						
8	CONDENSER 2	40011	*	*	*	*	*	
8	CONDENSER 3	40012						*
9	EVAPORATOR 2x6 PULT	40019						
9	EVAPORATOR 2x8 PULT	40021	*	*	*	*	*	*
9	EVAPORATOR 2x10 PULT	40018						
10	DIXELL XW 60 K	40163	*	*	*	*	*	*
11	SET DRAWERS 2	30108	*	*	*	*	*	*
12	SET DRAWERS 3	30109	*	*	*	*	*	*
18	SET DRAWERS 2-3	30147	*	*	*	*	*	*
13	SET DOOR	30113	*	*	*	*	*	*
14	FRONTA AGREGATA	40043	*	*	*	*	*	*
15	LEG	20311	*	*	*	*	*	*
16	DISPLAY	40164	*	*	*	*	*	*



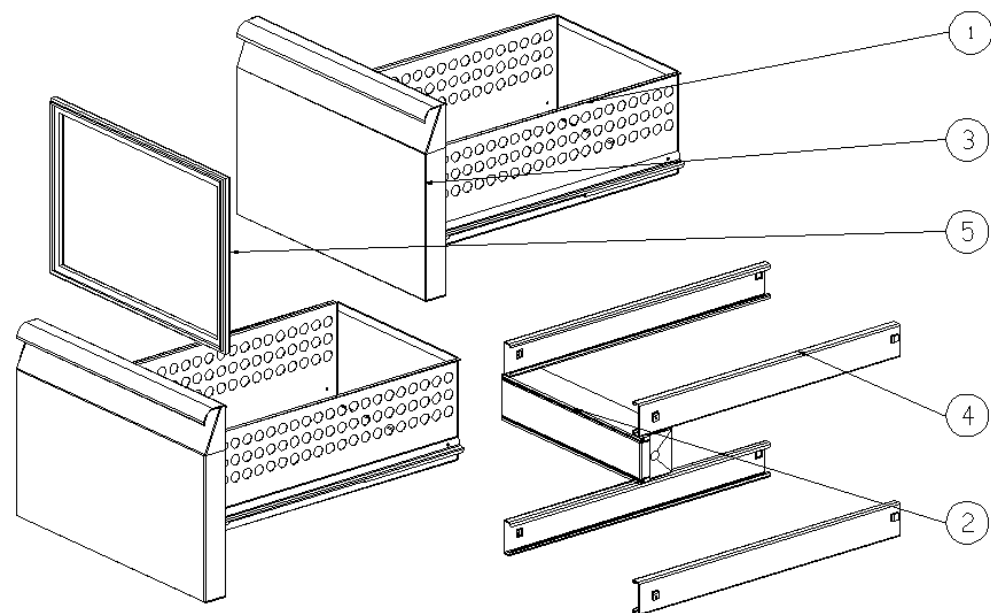
POS	TITLE	CODE	TM2	TM3	TM4	TN2	TN3	TN4
1	COUNTER HOUSING 2	20062	*			*		
1	COUNTER HOUSING 3	20064		*			*	
1	COUNTER HOUSING 4	20062			*			*
2	FLAT WORKTOP WITH 40 mm SPLASHBACK 2	20081	*			*		
2	FLAT WORKTOP WITH 40 mm SPLASHBACK 3	20082		*			*	
2	FLAT WORKTOP WITH 40 mm SPLASHBACK 4	20083			*			*
2	FLAT WORKTOP WITH 40 mm SPLASHBACK AND TROUGH 2	20096	*			*		
2	FLAT WORKTOP WITH 40 mm SPLASHBACK AND TROUGH 3	20097		*			*	
2	FLAT WORKTOP WITH 40 mm SPLASHBACK AND TROUGH 4	20098			*			*
2	FLAT WORKTOP 2	20093	*			*		
2	FLAT WORKTOP 3	20094		*			*	
2	FLAT WORKTOP 4	20095			*			*
3	COMPRESSOR ML 60 TB	40201	*	*				
3	COMPRESSOR ML 80 TB	40202			*			
3	COMPRESSOR MP 23 FB	40210						*
3	COMPRESSOR MX 18 FB	40211				*	*	
4	FAN TF 240/30	40302	*					
4	FAN TF 360/35	40304		*	*	*	*	*
5	MOTOR FAN A805-809	40314	*	*	*	*	*	*
6	ELISA 250/28 SESALNA	40321	*	*	*	*	*	*
7	HEATER 150 W PULT	40422	*	*	*	*	*	*
8	CONDENSER 1	40020						
8	CONDENSER 2	40011	*	*	*	*	*	
8	CONDENSER 3	40012						*
9	EVAPORATOR 2x6 PULT	40019						
9	EVAPORATOR 2x8 PULT	40017	*	*	*	*	*	*
9	EVAPORATOR 2x10 PULT	40018						
10	DIXELL XW 60 K	40163	*	*	*	*	*	*
11	SET DRAWERS 2	30108	*	*	*	*	*	*
12	SET DRAWERS 3	30109	*	*	*	*	*	*
18	SET DRAWERS 2- 3	30147	*	*	*	*	*	*
13	SET DOOR	30113	*	*	*	*	*	*
14	LEG	20311	*	*	*	*	*	*
16	DISPLAY	40164	*	*	*	*	*	*
17	FRONT PANEL	40043	*	*	*	*	*	*



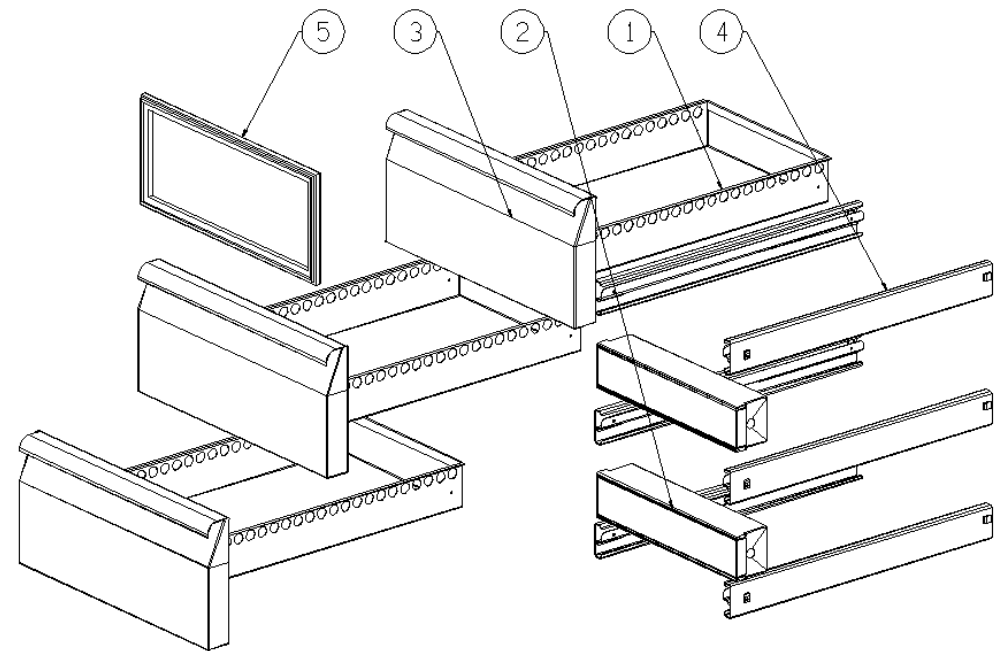
POS	TITLE	CODE
1	DOOR	30083
2	DOOR GASKET	30097
3	HINGH	60040
4	DOOR SUPPORT UPPER right	20251
4	DOOR SUPPORT UPPER left	20252
5	DOOR SUPPORT	20253
6	UPPER GINGE	20243
7	LOCK	20213
8	GN SUPPORT	20241
9	SHELVE GN 2/1	20327



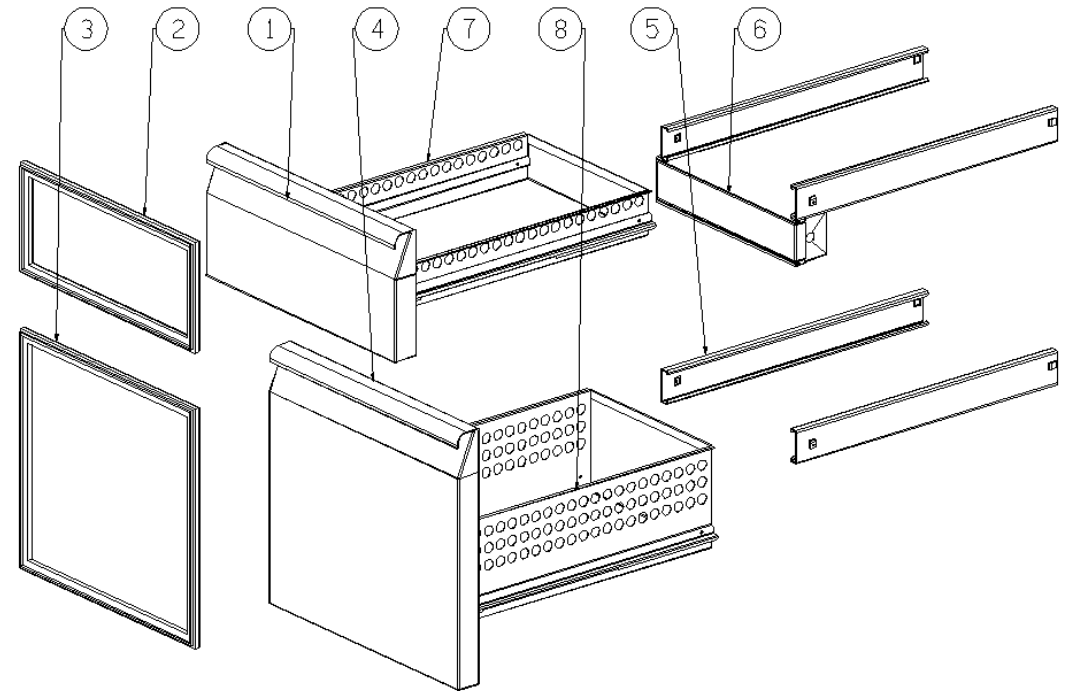
POS	TITLE	CODE
1	DRAWER GN 1/1 - 2	30085
2	DOOR STEP	50664
3	FRONT DRAWER GN 1/1 - 2	30087
4	TELESCOPE REILS	30100
5	GASKET 2	30098



POS	TITLE	CODE
1	DRAWER GN 1/1 – 3	30086
2	DOOR STEP	50664
3	FRONT DRAWER GN 1/1 – 3	30088
4	TELESCOPE REILS	30100
5	GASKET 3	30099



POS	TITLE	CODE
1	FRONT DRAWER GN 1/1 - 3	30086
2	GASKET 3	30099
3	GASKET 2-3	30144
4	FRONT DRAWER GN 1/1 -2- 3	30143
5	TELESCOPE REILS	30100
6	DOOR STEP	50664
7	DRAWER GN 1/1 - 3	30086
8	DRAWER GN 1/1 - 2-3	30139



POS	TITLE	CODE
1	FLAT WORKTOP 2	20081
2	FLAT WORKTOP 3	20082
3	FLAT WORKTOP 4	20083
4	FLAT WORKTOP WITH 40 MM SPLASHBACK 2	20093
5	FLAT WORKTOP WITH 40 MM SPLASHBACK 3	20094
6	FLAT WORKTOP WITH 40 MM SPLASHBACK 4	20095
7	FLAT WORKTOP WITH 40 mm SPLASHBACK AND TROUGH 2	20096
8	FLAT WORKTOP WITH 40 mm SPLASHBACK AND TROUGH 3	20097
9	FLAT WORKTOP WITH 40 mm SPLASHBACK AND TROUGH 4	20098

